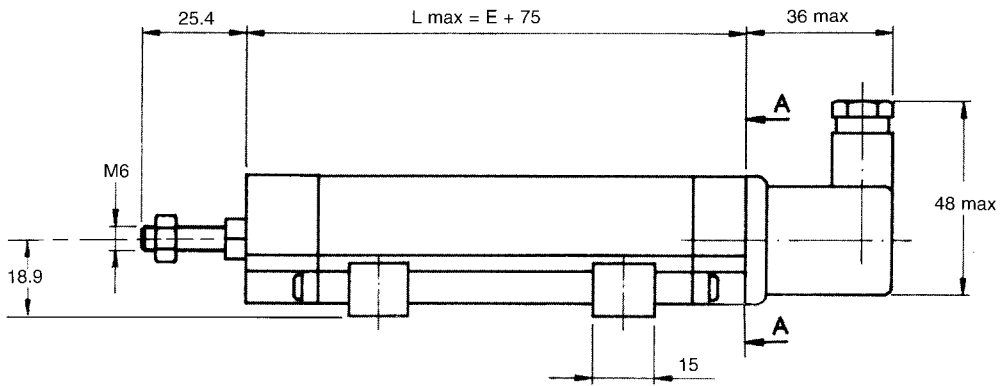
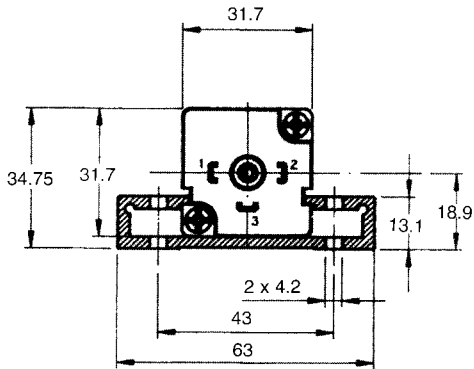


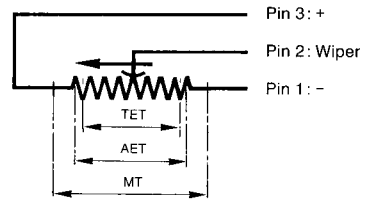
# 115 L



View A-A



## ELECTRICAL CONNECTIONS



TET = Theoretical electrical travel  
 AET = Actual electrical travel  
 MT = Mechanical travel

## OPTION : SPECIAL BALL JOINT ON SHAFT

...W 06001

